



www.scintex.com.au | sales@scintex.com.au

Model: SBTFM982

Burgess Professional Electric Fogger

Owner's Manual



SAFETY PRECAUTIONS

- Except as provided below, use outdoors only. Fire or explosion may occur if used in confined area.
- Barrel is hot when plugged in. Allow to cool before touching .
- Never secure trigger in a permanent "ON" position. Overheating may occur.
- Release trigger immediately if a flame occurs in the barrel.
- Do not fog near combustible materials.
- Fog produced is flammable. Do not fog near open flames such as gas burner or pilot light.
- Fog produced may be toxic. Do not fog around food, eating utensils, humans, pets or animals. DO NOT INHALE FOG.
- Use only 3-wire, 10, 12 or 14-gauge extension cord, suitable for outdoor usage. Never defeat grounding feature. Failure to comply may result in electrical shock and /or fire.
- Always unplug fogger when not in use. Never leave unattended.
- The use of other insecticides or chemical may damage your fogger and could result in unsafe conditions. Use only oil base chemicals formulated for thermal fogging.

CAUTION

- Before operating - Read Instruction Manual.
- Follow chemical manufacturer's instructions carefully.
- Examine extension and unit cord before each usage for signs of degrading. Do not use if damaged.
- Do not have lighted materials, such as cigarettes, in area while filling or using fogger.

HOW AND WHY FOGGING WORKS

At the touch of the trigger, an electric pump forces liquid through a brass atomizing nozzle into a thermostatically controlled heating chamber in the barrel. The chemical is vaporized instantly, and a cloud of fog surges out of the barrel. The secret of fogging's success lies in its ability to reduce chemical into microscopic particles averaging 15 microns in diameter (a micron measures 1/25,000 an inch). By contrast, mist droplets range from 50 to 125 microns and spray droplets more than 125 microns. The tiny particle size allows the fog to spread and penetrate area being treated.

GETTING THE MOST FROM YOUR FOGGER

A dry fog is recommended. The dryer the fog the smaller the particles. Dryness of fog is controlled by the rate of flow of chemical through the heating chamber. This rate of flow is controlled by turning the adjustment knob clockwise for a dry fog, counterclockwise for a wetter fog. Wet fog deposits a film or residue. This effect may be desired on trash cans, pavements, or building foundations. **Never use wet fog on plants, shrubs or carpeting where the oily residue could have damaging effects.** Keep the fogger about 10 feet away from the area being treated and let the fog drift in the desired direction. At this distance, any non-vaporized particles of chemical will settle to the ground.

OPERATION INSTRUCTIONS

Assembling

NOTE: Before each use, be sure nozzle cap on fogger is tightened securely.

1. **With fogger unplugged,** inspect nozzle cap by pulling barrel away from fogger body as shown. **(See Figure 1)**

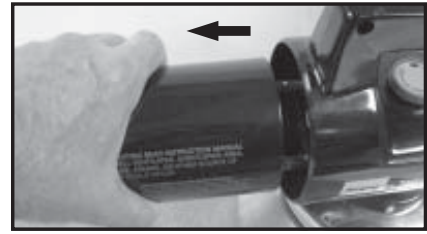


Figure 1

2. Inspect nozzle for any accumulation of any foreign matter. Clean nozzle if needed before using and secure nozzle tightly. **(See Figure 2)**

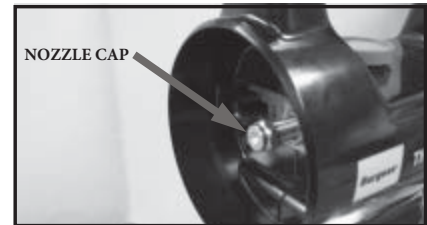


Figure 2

3. Attach barrel by positioning the prongs directly in line with the slots provided for them in the housing. Push the barrel firmly into place being careful not to twist or bend the prongs. **(See Figure 3)**

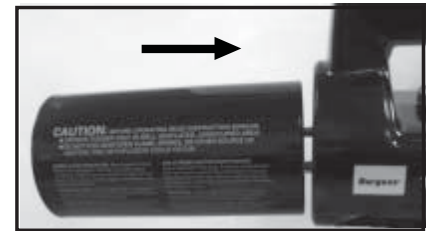


Figure 3

4. Barrel should snap into place. Do not leave any gap between fogger body and barrel as shown. **(See Figure 4)**



Figure 4

3. After filling container with (oil based) chemical, be sure latches are fastened securely to lid as shown. **(See Figure 5)**



Figure 5

4. Plug in cord to the proper grounded electrical outlet (voltage is indicated on fogger housing.)
5. Extension cords must be 3-wire, 10, 12 or 14-gauge. Long lengths of lighter cord will not conduct the necessary current to the heating chamber, and may result in insufficient heating and insecticide leakage from the end of the barrel. Over heating of the extension cord may also occur.

CAUTION:

- Use only extension cords which are intended for outdoor use and have an electrical rating not less than the rating on the fogger nameplate.
- Examine your extension cord carefully before using. Do not use if damaged.
- Do not abuse the extension cord and do not yank on any cord to disconnect.
- Keep the cord away from heat and sharp edges.

OPERATING INSTRUCTIONS CONTINUED

Fogging - For Use Outdoors Only “except as provided in #6 below”

1. Allow the fogger to pre-heat for two minutes or more.
2. Carry the fogger as you would a suitcase, holding it about three feet off the ground and away from your side.
3. Pull the trigger, conveniently located on the underside of the handle, to start the unit operating. Release trigger to stop.
4. Turn adjustment knob clockwise to obtain a dry fog. With a dry fog, you should see no moisture on a 8" x 12" minimum piece of paper or cardboard when you pass it through the fog about a foot from the barrel. Be careful not to place hand in front of the barrel.
5. For continuous use (more than one minute) be sure the unit is adjusted for a dry fog or liquid will drip from end of barrel.
6. The fogger should only be operated indoors by certified, trained Fire and Smoke Restoration Technicians and certified, trained Odor Control Technicians and only in accordance with the IICRC (FSRT) Fire & Smoke Restoration Technicians and Odor Control Technicians (OCT) guidelines and standards.

WARNING:

- Under certain conditions, a flame may be produced at either end of the barrel. If this occurs, **release trigger immediately** and flame will extinguish. Do not attempt to extinguish by blowing it out, smothering it or submersing in liquid, Turn adjustment knob for a drier fog before resuming operation.
- The fog produced is toxic and flammable.
- Do not smoke during use or filling.
- Keep away from food, humans, pets, and animals.
- Fire or explosion may occur if used in confined areas.
- Do not fog near open flame or heated surfaces.

PREVENTIVE MAINTENANCE

Cleaning

Be sure to spray clean water through the unit after each use and rinse out container thoroughly. Lubricate according to instructions below. Wipe unit with a dry cloth after each use. Some chemicals, when vaporized, may leave carbon or other residue inside the barrel. It is advisable to clean out the barrel with a rag or soft bristled brush occasionally to prevent accumulation of any foreign matter.

Lubrication

Oil-based chemicals provide lubrication for the fogger's pump and atomizing mechanism, and little additional maintenance is necessary. If fogger is used as a sprayer for water-base formulations, spray kerosene or oil-base material through the sprayer unit for lubrication.

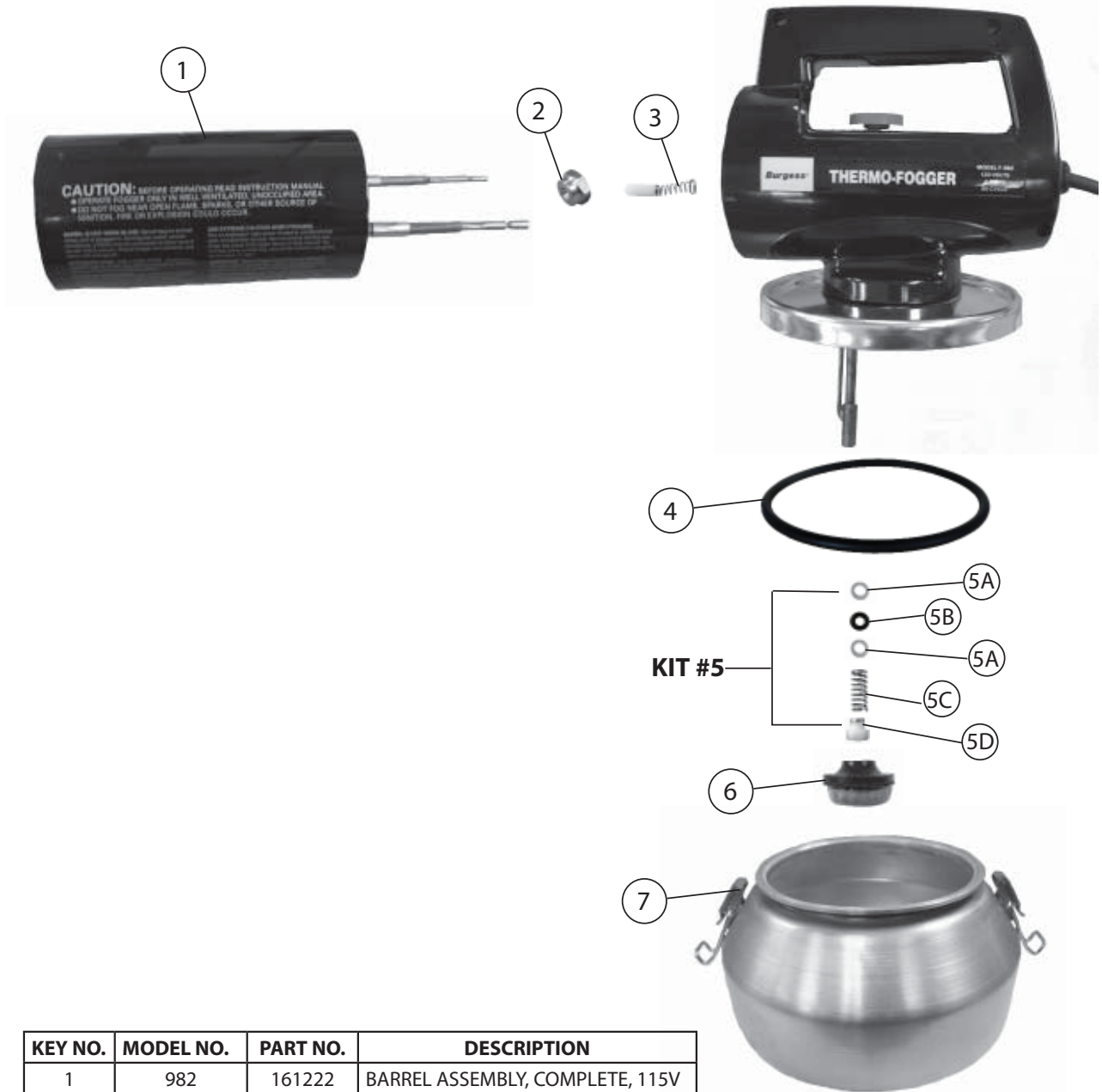
Storing

Keep the unit in dust-free storage to prevent accumulation of dirt in its mechanism. Never store unit with chemicals in the container.

Clogging

Foreign matter in the liquid can result in clogging the pump or nozzle. To insure proper operation it is recommended that clean material be used, or that it be filtered through cheese cloth if foreign matter is present.

REPLACEMENT PARTS



KEY NO.	MODEL NO.	PART NO.	DESCRIPTION
1	982	161222 161214	BARREL ASSEMBLY, COMPLETE, 115V BARREL ASSEMBLY, COMPLETE, 230V
2	ALL MODELS	161900	BRASS NOZZLE
3	ALL MODELS	161189	SPINNER AND SPRING ASSEMBLY
4	982	161160	CONTAINER GASKET

KIT #5 1602011C PUMP PARTS KIT (ALL MODELS)

KEY NO.	MODEL NO.	PART NO.	DESCRIPTION
5A	ALL MODELS	161064	PACKING RING (2)
5B	ALL MODELS	161173	O-RING
5C	ALL MODELS	161174	PACKING RING SPRING
5D	ALL MODELS	161194	CHECK VALVE BODY ASSEMBLY

KEY NO.	MODEL NO.	PART NO.	DESCRIPTION
6	ALL MODELS	164300	STRAINER
7	982	161221	SPUN ALUMINUM CONTAINER, 3QT. CAPACITY (THIS CONTAINER CAN BE USED ON 982 MODELS ONLY)
8	ALL MODELS	190255 190256	INSECTICIDE, 32 OZ INSECTICIDE, 64 OZ

TROUBLE-SHOOTING GUIDE

Symptom	Probable Cause	Corrective Action
Poor fog quality	<ol style="list-style-type: none"> 1. Low Voltage. 2. Too light a gauge extension cord. 3. Poor grade fogging material. 	<ol style="list-style-type: none"> 1. Change to another power source. 2. See page 2, Item #5.
Dripping	<ol style="list-style-type: none"> 1. Nozzle loose. 2. Excessive chemical output. 3. Worn out Barrel Assembly. 4. Other-see poor fog quality. 	<ol style="list-style-type: none"> 1. Tighten securely. 2. Adjust to drier output. 3. Replace with factory replacement assembly only.
No fog- No spray (Unit vibrates)	<ol style="list-style-type: none"> 1. Nozzle obstructed. 2. Pump plugged. 3. No power at plug. 	<ol style="list-style-type: none"> 1. Remove and clean nozzle with sharpened wooden toothpick. DO NOT USE METAL OBJECT. 2. Insert toothpick into hole at bottom of pump and pick out foreign material. 3. Check electrical connections, fuse and extension cord.
No fog-Spray Ok	<ol style="list-style-type: none"> 1. Worn-out Barrel Assembly. 2. Water base insecticide. 	<ol style="list-style-type: none"> 1. Replace with factory replacement assembly only.