

Owner's Manual

Velo™ & Velo™ Pro Low Profile Airmover

Models F504-230V & F505-230V

DRI-EAZ PRODUCTS, LTD.

22 Plover Close, Interchange Park, Newport Pagnell, MK16 9PS
Tel: +44 (0)1908-611-211 Fax: +44 (0)1908-611-363 www.dri-eaz.co.uk

The Velo Airmover produces a high rate of airflow to accelerate the evaporation of moisture from materials for restorative drying.

Patents: <http://www.LBpatents.com>

ORIGINAL INSTRUCTIONS



WARNING! To reduce the risk of fire or electric shock, do not use this fan with any solid-state speed control device.

WARNING! Unit must be grounded. Do not use with an extension cord. Connect only to an outlet provided with a ground fault interrupting device.

WARNING! Never operate a unit with a damaged power cord, as this may lead to electrical or fire hazards. If the supply cord is damaged, it must be replaced by the manufacturer, its service agent or similarly qualified persons in order to avoid a hazard. If power cord is damaged, it must be replaced by a cord of the same type and amperage rating.

WARNING! Do not touch grills when unit is operating.

NOTICE: Keep motor dry. For indoor use only.

NOTICE: Unplug when not in use or when moving unit.

NOTICE: Do not allow children to play with or around the unit. Be sure the unit is inaccessible to children when not attended.

NOTICE: Always operate the unit on a stable, level surface so it cannot fall and cause injury.

WARNING! Do not alter or modify your Velo in any way. Use only replacement parts authorized by Dri-Eaz Products, Inc. Modifications or use of unauthorised parts could create a hazard and will void your warranty. Contact your authorised Dri-Eaz Ltd. distributor for assistance.

This appliance can be used by children aged from 8 years and above and persons with reduced physical sensory or mental capabilities or lack of experience and knowledge if they have been given supervision or instruction concerning use of the appliance in a safe way and understand the hazard involved. Children shall not play with the appliance. Cleaning and user maintenance shall not be made by children without supervision.

Fig. A: Parts Identification

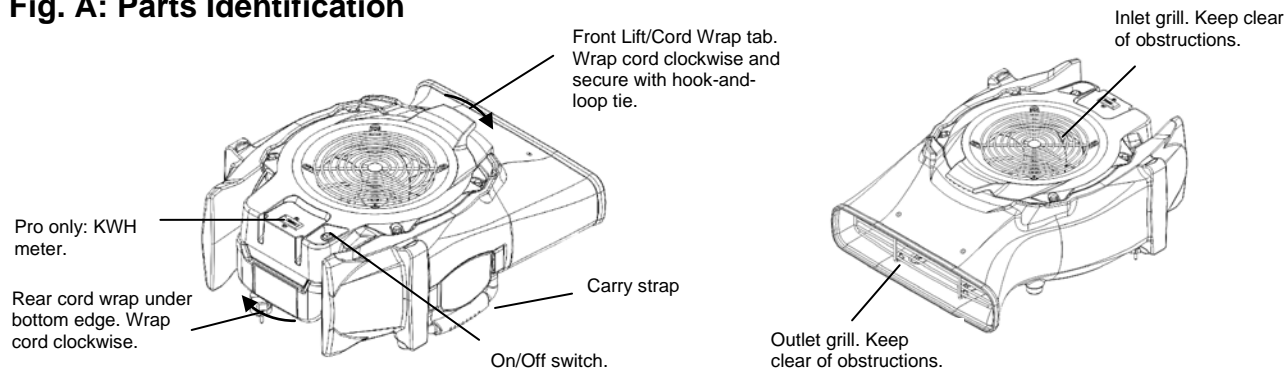
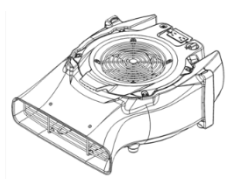


Fig. B: Operating Positions



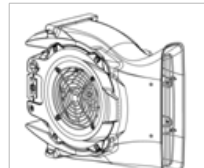
Horizontal (for horizontal surfaces)



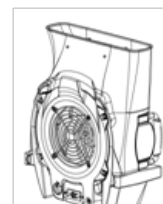
Pro only: Kickstand.



Left edge (for wall drying)



Right edge (for wall drying)



Vertical (for walls and ceilings)

OPERATING INSTRUCTIONS

Note that the Velo and Velo Pro can be placed in a variety of positions for drying and air circulation. See Fig. B for details.

1. Unwrap the cord and plug the unit into a standard 230V outlet. **CAUTION:** Be sure switch is in the off position before connecting unit to power outlet.
2. Direct the Velo outlet toward the surface to be dried.
3. Press On switch
4. When surface is dry to the touch, switch the unit off and reposition the unit in the next area to be dried.
5. When finished, unplug the unit and re-wrap the cord in a clockwise direction around the front and rear cord wrap tabs and secure with the hook-and-loop provided.

Note: The Velo Pro includes a kilowatt hour meter, useful for tracking electrical consumption. See Fig. D.

For additional instructions about the use of airmovers for restorative drying, visit www.DriEaz.co.uk and www.RSA-HQ-UK.co.uk.

Transport and Storage

Always use the handle to load or carry the unit.

Wrap cord in a **clockwise direction** under front Cord Wrap tab and rear bottom edge (Fig. A). Pull cord snug and secure with hook-and-loop tie.

Units may be stacked for transport and storage.

When transporting in a vehicle, secure the unit(s) carefully to prevent sliding and damage to the unit and/or injury to vehicle occupants.

Keep unit dry. Do not expose the unit to rain or snow.

Maintenance

WARNING: Unplug unit before performing any maintenance.

Before each use

Inspect the power cord. If cord is damaged, do not use. Always grasp the plug (not the cord) to unplug.

As needed

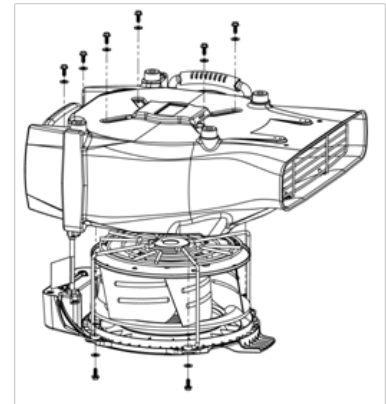
Clean housing and impeller. If dust accumulation is visible, remove the four screws from the top, then turn the unit on its top and remove the six fasteners from the bottom as shown (Fig. C). Lift off the housing. Clean impeller assembly with a soft cloth. Do not apply liquids to the impeller assembly. The housing may be cleaned with a mild solution of detergent and warm water. Do not use a hose to clean the unit. Ensure housing is completely dry before reassembling.

FOR SERVICE CALL Dri-Eaz on +44 (0)1908-611-211.

Fig. C: Disassembly

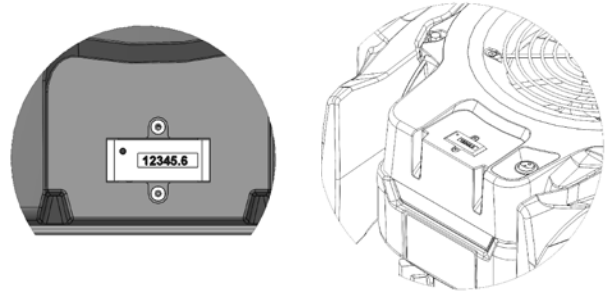
To disassemble for cleaning, first remove the four screws from the impeller assembly 1) (below), then turn the unit on its top and 2) remove the six screws from the base. Lift off the housing. Retain screws and washers for reassembly.

2. Remove base screws (x6) and lift out housing.



1. Remove impeller assembly screws (x4).

Fig. D: Pro model only: Kilowatt Hour meter



SPECIFICATIONS

Model	Velo (F504-230V)	Velo Pro (F505-230V)
Weight	9.52 kg	9.52 kg
Dimensions (D x W x H)	61 x 45.7 x 22.9 cm	61 x 45.7 x 22.9 cm
Amp draw	.53 amps (230V)	.53 amps (230V)
Power	124W	124W
Max. Airflow	1190 m ³ /h	1190 m ³ /h
RPM	1280	1280
Rotation	Clockwise	Clockwise
Static pressure	28 mm (H ₂ O)	28 mm (H ₂ O)
Sound level (avg.)	65 dB	65 dB
Control	On/Off switch	On/Off switch
Cord length	4.6 m	4.6 m
Fan	6 blades	6 blades
Kickstand	No	Yes
Kilowatt Hour Meter	No	Yes
Construction	Rotomolded polyethylene and injection molded ABS housing components; steel wire inlet and outlet grills.	Rotomolded polyethylene and injection molded ABS housing components; steel wire inlet and outlet grills.
Safety	CE	CE
<i>Specifications are subject to change without notice. Some values may be approximate.</i>		