

**edge**   
skip hire

**SKIP HIRE & SPECIALIST WASTE SERVICES**



# EDGE SKIP HIRE & WASTE SERVICES CONTACTS

# WELCOME

Maria Thompson (Skips & Waste Services Coordinator)

**Tel:** 01386 791077

**Email:** skips@edge-equipmenthire.co.uk

Neil Chapman (Skips & Waste Services Coordinator)

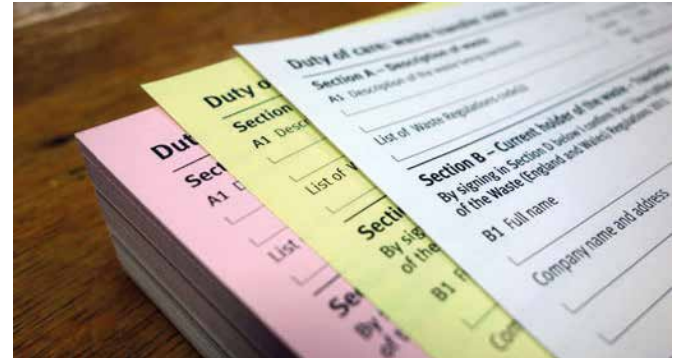
**Tel:** 01386 791077

**Email:** skips@edge-equipmenthire.co.uk

Stewart Thame (Sales Director)

**Mobile:** 07827 975097

**Email:** stewart.thame@edge-equipmenthire.co.uk



## Eco-Friendly, Nationwide Skip Hire From Edge!

Edge is dedicated to recycling as much waste as possible. We work alongside a range of waste management and recycling experts who are capable of recycling waste that regularly ends up in landfills when you choose unconnected skip hire companies.



**Website:** [www.edge-equipmenthire.co.uk](http://www.edge-equipmenthire.co.uk)

**Company Registration Number:** 7270180

**VAT Number:** 993 5689 47

## Welcome to the Edge Skip Hire and Waste Services brochure.

Our drive and passion for finding useful ways in which we can support our customers has inspired us to launch our Skip Hire and Waste Services division.

The primary objective is to make hiring skips and obtaining waste services very simple for our customers. Through our extensive nationwide network of providers, one call to us is all you need to make.

Edge provides a comprehensive range of skips, in various sizes and for differing waste types. Additionally, we offer alternative and bespoke waste removal services for which details can be found inside this brochure.

When it comes to waste management trust Edge.



# WHAT DO YOU NEED TO KNOW ABOUT WASTE LEGISLATION AND GUIDELINES?

# HAZARDOUS WASTE REGULATIONS – LET EDGE TAKE THE STRAIN

## Duty of Care – How Edge Takes Away The Worry

The Duty of Care is a law which says that you must take all reasonable steps to keep waste safe. If you give waste to someone else, you must be sure they are authorised to take it and can transport, recycle or dispose of it safely.

Duty of Care applies to anyone who produces or imports, keeps or stores, transports, treats or disposes of waste. Breach of the Duty of Care is an offence, with a penalty of up to £5,000 on summary conviction or an unlimited fine on conviction on indictment.

Under the Duty of Care Regulations 1991 (the 1991 Regulations), parties transferring waste are required to complete and retain a “transfer note”, containing a written description of that waste. Defra has provided statutory guidance on the completion of the duty of care transfer note in.

### Waste management, the duty of care: a code of practice

N.B. The above notes have been taken from the Defra Website.

For further guidance on Duty of Care and other environmental legislation please visit [www.gov.uk/defra](http://www.gov.uk/defra).



Hazardous waste is essentially waste that contains hazardous properties that may render it harmful to human health or the environment. Many everyday products such as fluorescent tubes, TVs, computer monitors and some paints and batteries are now classed as hazardous waste. (Please visit [www.environment-agency.gov.uk](http://www.environment-agency.gov.uk) for a full listing of hazardous waste substances).



If you produce any of these hazardous substances you may need to register your premises with the Environment Agency on an annual basis. The Environment Agency charges a fee to register your premises with them. Skippy Nationwide can assist you with registering your premises if required.

There are some exemptions in place so not everyone need register their premises:

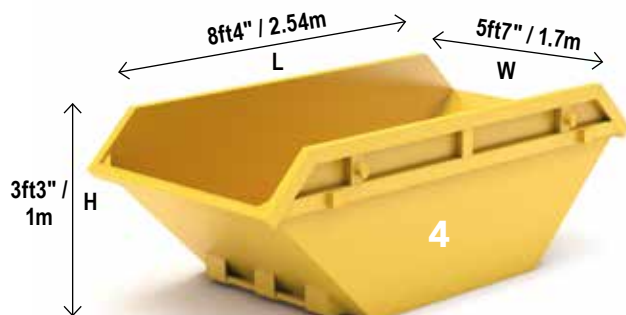
People who **do** need to register their premises:

- Businesses producing any hazardous waste.
- Any households, offices, shops, farms, schools, colleges, prisons, residential and nursing homes, hospitals, dental, veterinary and other medical practices, premises used by charities and places used for the purpose of collecting waste electrical and electronic equipment that produce more than 500Kg of hazardous waste in a year.

### Skip Essential Don'ts

- ⊗ Don't overfill the skip. This is dangerous and in some cases, makes it impossible for it to be lifted.
- ⊗ Don't have fires in the skips. This is illegal and you will be liable for replacement or repair costs.
- ⊗ Don't mix hazardous waste in with inert or general waste as this will incur additional costs and may mean we are unable to take your waste away.

## MINI SKIP (4 CUBIC YARDS)

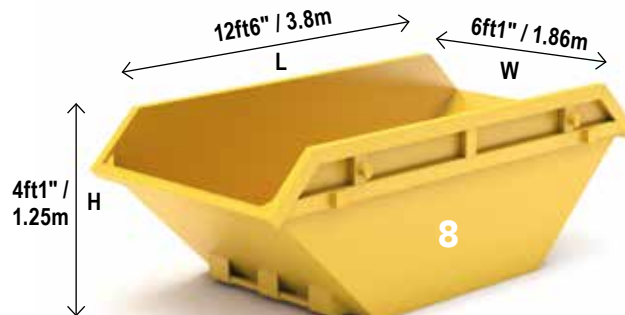


The 4 cubic yard mini skip is ideal for small clearances, garden waste and smaller projects. Because of its size, the 4 cubic yard skip is ideal when space is at a premium.

- Waste Volume 4 cubic yards
- Max Loading Weight 8 tonnes
- Permit for sitting on roadside available
- Cost – POA

Call **01386 791077** for a quote and to order.

## MINI SKIP (8 CUBIC YARDS)

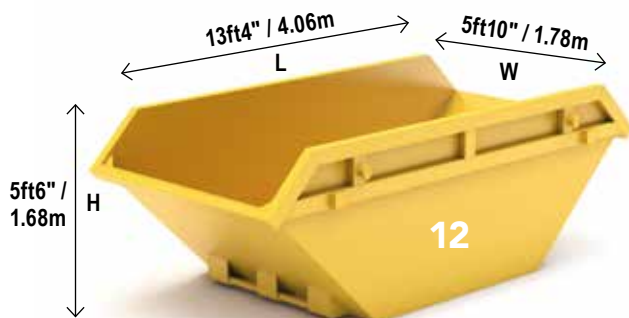


The 8 cubic yard mini skip is perfect for smaller strip-outs, general waste and more manageable restoration projects. Despite its size, the 8 cubic yard skip gives an impressive payload.

- Waste Volume 8 cubic yards
- Max Loading Weight 8 Tonnes
- Permit for sitting on roadside available
- Cost – POA

Call **01386 791077** for a quote and to order.

## MIDI SKIP (12 CUBIC YARDS)



The 12 cubic yard midi skip is our most popular skip. Combining large capacity with a relatively small, manageable footprint the 12 cubic yard skip is ideal for all types of projects.

- Waste Volume 12 cubic yards
- Max Loading Weight 8 Tonnes
- Permit for sitting on roadside available
- Cost – POA

Call **01386 791077** for a quote and to order.

## MIDI SKIP (16 CUBIC YARDS)



The 16 cubic yard midi skip, with its impressive capacity, is the obvious choice for extensive restoration projects, strip outs and building clearances.

- Waste Volume 16 cubic yards
- Max Loading Weight 5 Tonnes
- Permit for sitting on roadside available
- Cost – POA

Call **01386 791077** for a quote and to order.

## ROLL ON ROLL OFF SKIP (20 CUBIC YARDS)

SCALE GUIDE – 20 YARD ROLL ON ROLL OFF



The 20 cubic yard roll on roll off skip is designed within the large project in mind. Perfect for large, extensive restoration projects, strip outs and building clearances where large capacity is vital.

- Waste Volume 20 cubic yards
- Max Loading Weight 3 Tonnes Mixed Waste  
– extra tonnage charges apply
- Permit for sitting on roadside available
- Cost – POA

Call **01386 791077** for a quote and to order.

## ROLL ON ROLL OFF SKIP (40 CUBIC YARDS)

SCALE GUIDE – 40 YARD ROLL ON ROLL OFF



Our largest skip, the 40 cubic yard roll on roll off skip is designed with the largest project in mind. Perfect for large, extensive restoration projects, strip outs and building clearances where large capacity is vital.

- Waste Volume 40 cubic yards
- Max Loading Weight 3 Tonnes Mixed Waste  
– extra tonnage charges apply
- Permit for sitting on roadside available
- Cost – POA

Call **01386 791077** for a quote and to order.

## HAZARDOUS / SENSITIVE TYPES OF WASTE

## WAIT & LOAD SKIPS



When time is at a premium we can arrange 'wait and load' skips of varying sizes. Essentially this involves the skip attending at an agreed time and the driver will wait while you load the skip and then take it away.

- Wait Time ½ Hour
- Extra wait time charged by the half hour
- Permit for sitting on roadside available
- Cost – POA

**Call 01386 791077 for a quote and to order.**

## MAN IN A VAN SERVICE

- Pick up, load & dispose
- In the event of delays additional waiting time may apply
- Not always necessary for policy holder or contractor to be present
- Cost – POA



Edge can provide waste disposal services and skips for various types of non biological waste such as plasterboard, WEEE (electrical goods) and fluorescent light tubes. We also offer a comprehensive document shredding and incineration service.

- Range of skip sizes and collection services
- Light Bulb Coffins – available for the safe disposal of light bulbs
- WEEE Skips for electrical goods and appliances
- Document shredding and incineration service
- Permit for sitting on roadside available
- Cost – POA

**Call 01386 791077 for a quote and to order.**



## BIOLOGICAL WASTE



Edge can provide waste disposal services and skips for various types of biological & organic waste such as food substances and items contaminated with bodily fluids.

- Range of skip sizes and collection services
- Foods, food substances & residues
- Bodily fluids and proteins
- Permit for sitting on roadside available
- Cost – POA

**Call 01386 791077 for a quote and to order.**

### Reasons to choose Edge...

- 'One Call Does It All' – **01386 791077**
- Eco – Friendly Approach
- Nationwide Coverage
- Edge Hire – Industry leading equipment for hire
- Specialist knowledge, free technical support and advice
- Flexible and friendly approach
- Edge Training – range of courses  
(also can be bespoke and tailored to your needs)
- Edge Repairs – expert repair and maintenance service for your equipment
- Edge Sales – from moisture meters to cleaning agents we supply it all
- Contingency planning for surge events to keep your business supplied & working
- Edge LiveHire – free online access to manage your account at your fingertips
- Flexible invoicing with industry leading back office management information
- Fleet of modern 'trackered' vans for 'real time' delivery reporting
- 24 hours/365 days per year availability
- Members of the Hire Association of Europe
- Corporate Associate Members of the BDMA
- Accredited Investor In People Gold





**SKIP HIRE & SPECIALIST WASTE SERVICES**